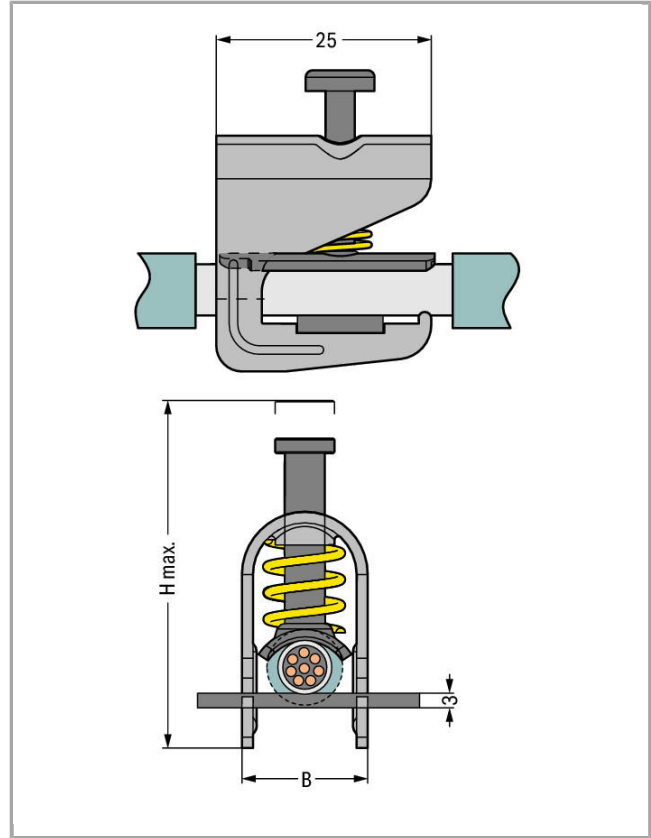


Data sheet | Item number: 791-111

Shield clamp; diameter of compatible conductor; 5 mm to 11 mm; H max. 47 mm; 17 mm wide



791-111



RoHS Compliant

[BOMcheck.net](https://www.bomcheck.net)

Item description

Safety information 1:

Note: Not suitable for connecting ground conductors!

Data

Technical Data

Main product function

Shield termination

Safety information 1

Note: Not suitable for connecting ground conductors!

**Material Data**

Weight	27.2g
--------	-------

Commercial data

Product Group	2 (Terminal Block Accessories)
Country of origin	CH
GTIN	4045454007614
Customs Tariff No.	85369010000

Downloads**Documentation****Bid Text**

791-111	doc 24.1 kB	Download
---------	----------------	----------

CAD/CAE - Smart Data**CAD data**

3D Download 791-111	URL	Download
---------------------	-----	----------

WSCAD

WSCAD Universe	Download
----------------	----------

Subject to changes.
